

DATA SHEET

U 5.71

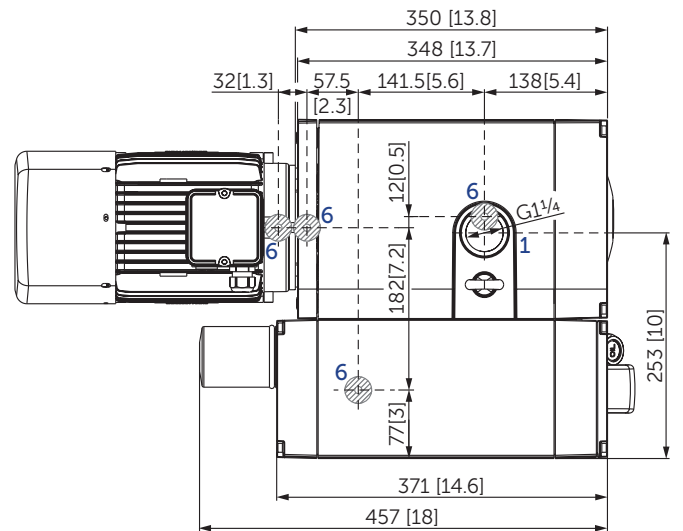
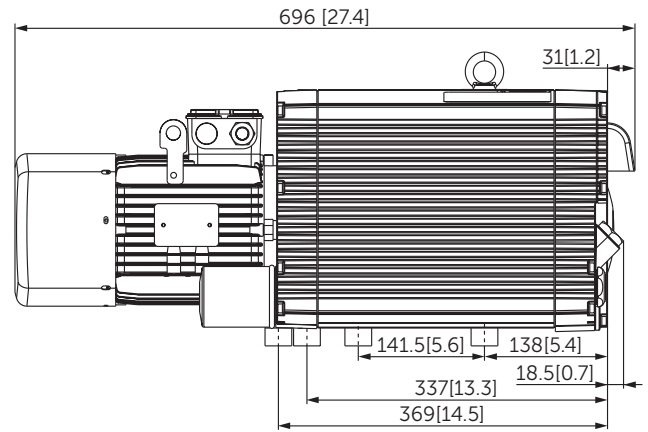
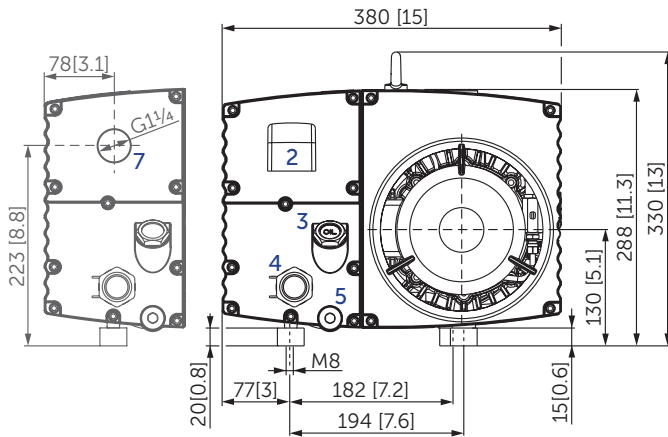
ROTARY VANE- VACUUM PUMPS

oil-lubricated

air-cooled

MAKE IT BECKER.





- 1 Vacuum connection (G1¼)
- 2 Exhaust air (diverter)
- 3 Oil filler cap (G¾)
- 4 Oil sight glas (G1)
- 5 Screw plug for oil drain (G½)
- 6 Rubber buffer position
- 7 optional: threaded connector for exhaust air (G1¼)
 - incl. gas ballast valve, non-return valve, oil separator and oil filter
 - The motor illustration may vary
 - Dimensions in mm [inch]

Nominal capacity		Vacuum absolute for continous operation		Emission sound pressure level ¹⁾		Weight	Oil ²⁾
m ³ /h		mbar		dB(A)		kg	l
50 Hz	60 Hz	50 Hz	60 Hz	50 Hz	60 Hz		
70	84	<0.1 ³⁾	-400	64	67	60.5	2

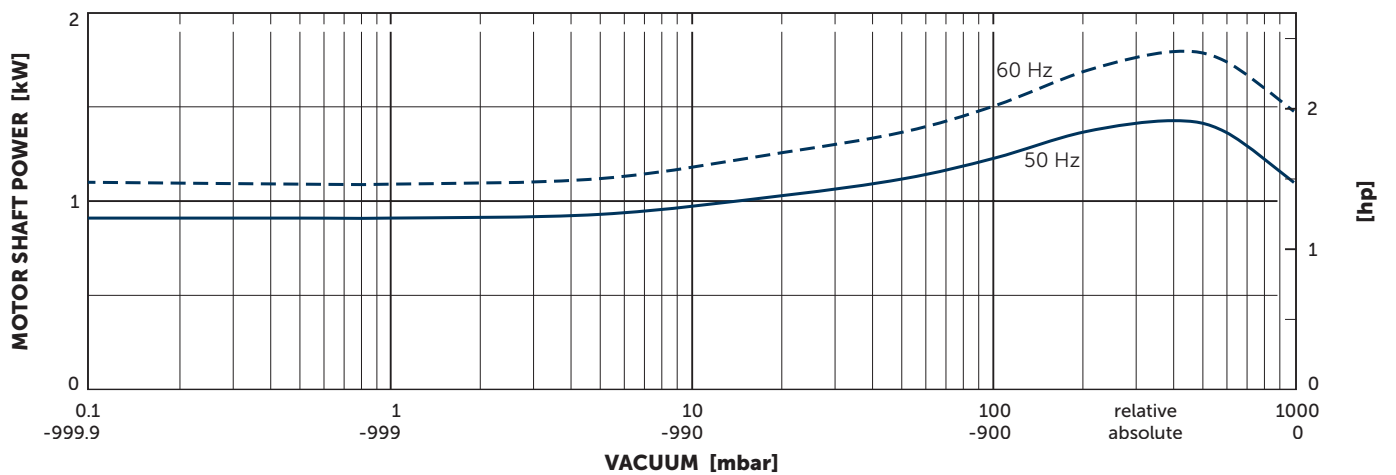
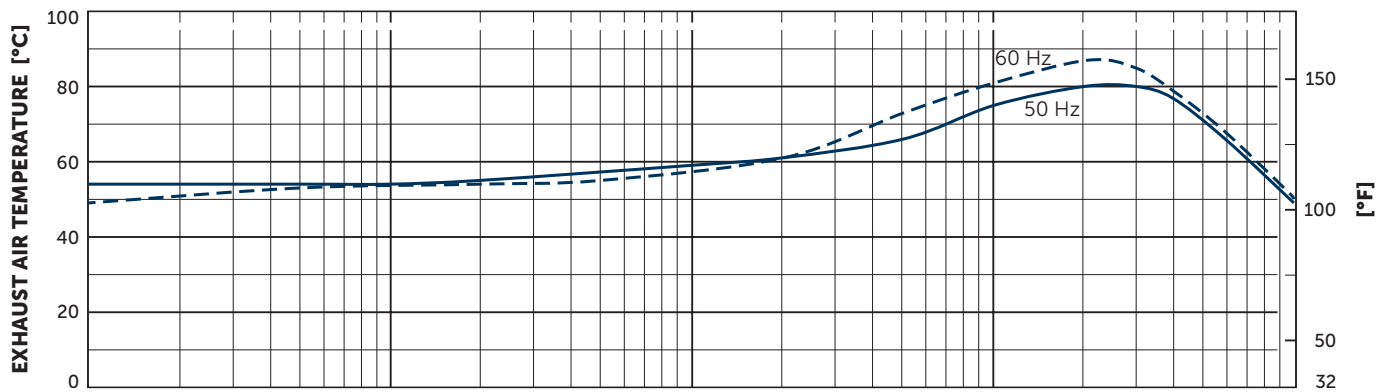
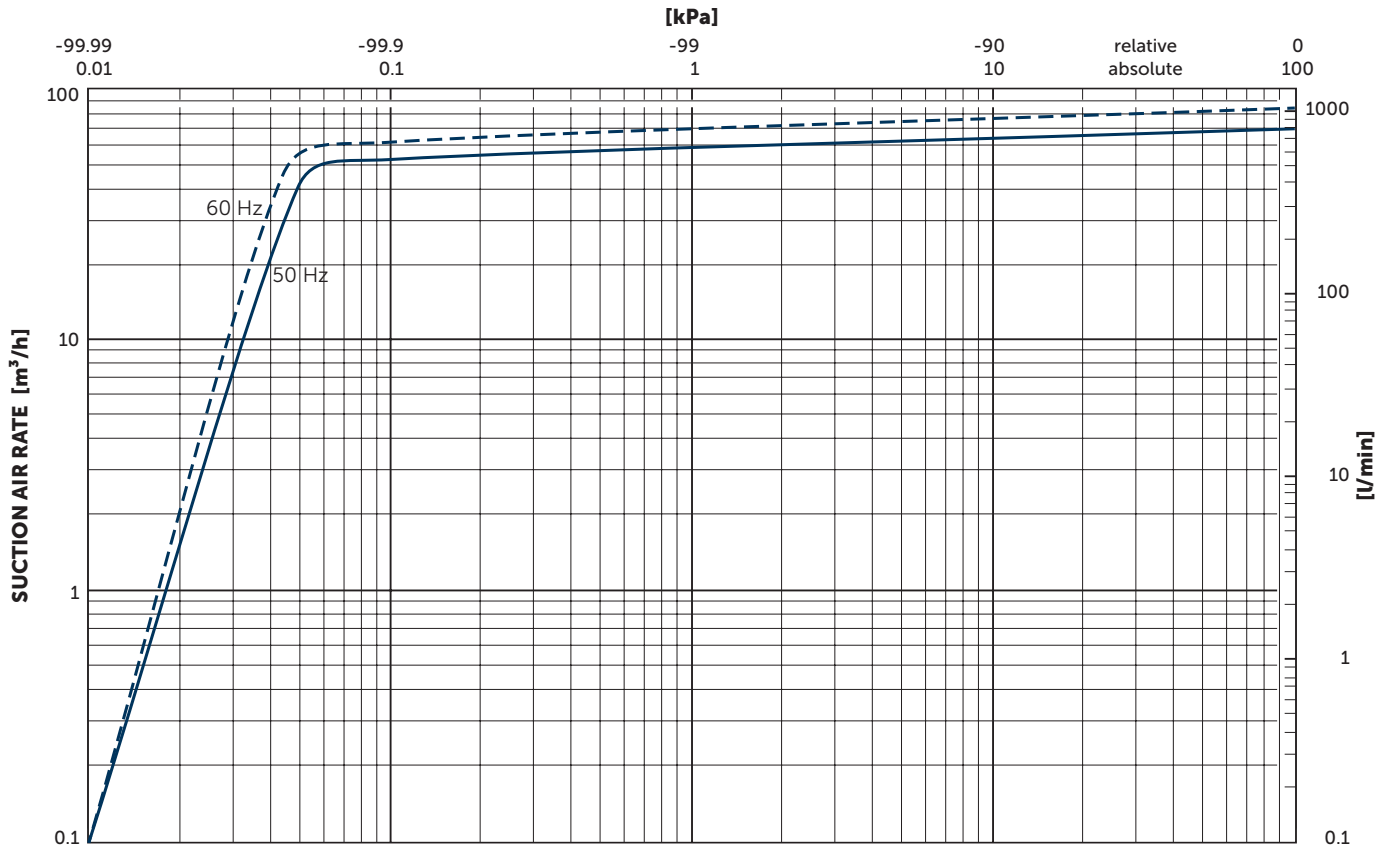
¹⁾ According to DIN EN ISO 11203, accuracy class of measurement: class 2, extended measurement uncertainty: 3 dB
1 m [39.4 inch] distance, at medium load, both connection sides piped

²⁾ Becker Lube M100 mineral • S100 synthetic • SL100 food

³⁾ 0.5 mbar absolute with opened gas ballast valve

▪ Gas ballast valve: water vapour tolerance max. 7 mbar; water vapour capacity max. 0.45 l/h (at 85°C operating temperature)

3~ Motors											
#	50 Hz					60 Hz					Version
	kW	V	IE3	min ⁻¹	A	kW	V	IE3	min ⁻¹	A	
01	1.5	Δ230/Y400	IE3	1420	6.4/3.7	1.8	Δ265/Y460 Δ230/Y400	IE3	1715 1675	6.4/3.7 6.9/4.0	UL(E365362) • CSA IP55 • ISO F • bimetal
02						1.8	YY230/Y460 YY208	IE3	1730 1705	6.8/3.4 7.0	UL(E365362) • CSA IP55 • ISO F • bimetal
03	1.5	Δ200/Y350		1440	7.4/4.3	1.8	Δ220/Y380-400 Δ200/Y350	IE3	1725 1705	7.3/4.2-4.0 7.6/4.4	UL(E365362) • CSA IP55 • ISO F • bimetal
04						1.8	Δ400/Y690	IE3	1715	4.2/2.4	UL(E365362) • CSA IP55 • ISO F • bimetal
05	1.5	Δ250/Y500	IE3	1430	5.2/3.0	1.8	Δ330/Y575	IE3	1715	5.3/3.1	UL(E365362) • CSA IP55 • ISO F • bimetal



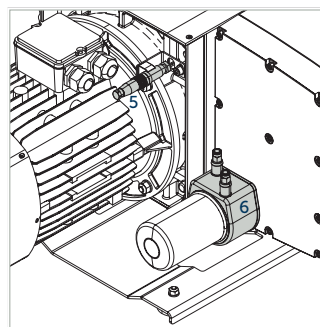
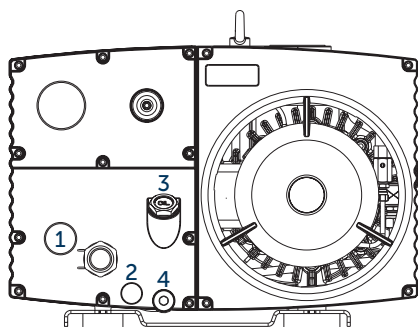
Suction air rate refers to the intake pressure
 Reference data (atmosphere): 1000 mbar (100 kPa), 20°C (68°F)
 Tolerance: ±10%

+ VARIANTS AND ACCESSORIES

- Optional **GAS BALLAST VALVE** for increased water vapour tolerance (3.0 mbar absolute)
water vapour tolerance: max. 36 mbar; water vapour capacity: max. 1.1 l/h (at 85°C operating temperature)
- **THREADED CONNECTOR** for exhaust air (G1^{1/4})
- **U 5.71 O2-PACK**¹⁾ for packaging with an overconcentration of oxygen

ACCESSORIES

- External suction filter¹⁾
- Oil: Becker Lube M100 mineral, S100 synthetic and SL100 food



- 1 Oil level switch¹⁾ (G1)
- 2 Oil temperature monitor¹⁾ (G^{1/2})
- 3 Maintenance indicator¹⁾ (G^{3/4}) for oil separating elements
- 4 Ball valve (G^{1/2}), with locking and hose connector 19 mm
- 5 Temperature sensor PT100
- 6 Water cooler U5.100-0-114.2¹⁾ with connectors for hoses with an external diameter of 8 mm



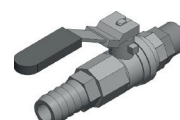
Oil level switch



Oil temperature monitor



Maintenance indicator



Ball valve

¹⁾ See separate data sheet

- Combination options on request



MAKE IT BECKER.